

Interface your digital Inputs and Outputs on the network

Several devices/machines still use digital lines to be controlled or to control external equipment. The I/O (Input/Output) lines available on the FMod-TCP card can be used either to drive (output) or read (input) digital signals (0-5V) coming from an external device.

A) Some examples of use of a digital OUTPUT :



- Cause an interrupt to wake up user processor.
- Manage LEDs.
- Drive an electro gate through a transistor.
- Drive power (230VAC) through relays, optocouplers or triacs.
- ...

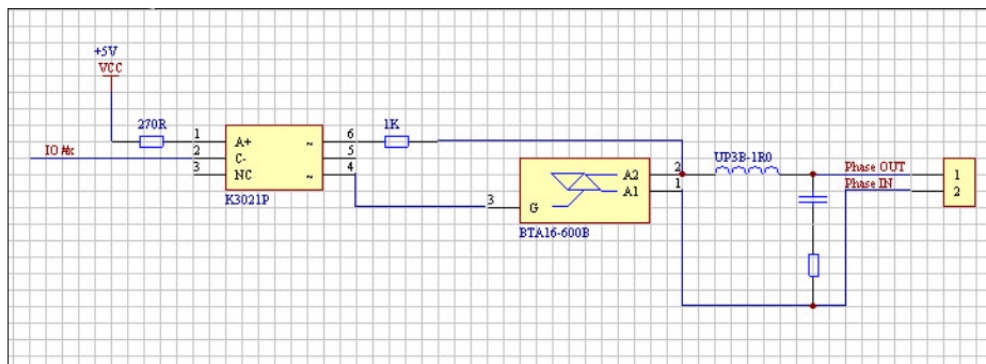


Figure 1 : 230V AC output control with the FMod-TCP

B) Some examples of use of a digital INPUT :



- Read state of indicator lines from an external (user) system.
- Verify presence of an external enable (EN) signal.
- Check for an external processor ready line.
- Check buttons pression through a flip-flop gate.
- ...

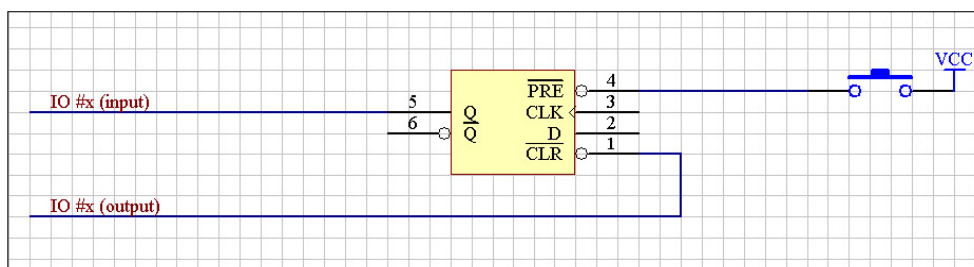


Figure 2 : External input Button check (FlipFlop gate cleared by an output)